

Yeelight Mesh Downlight M2

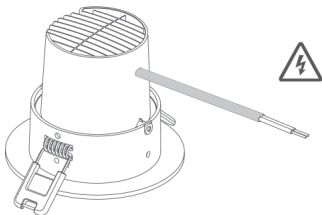
User Manual

**Downlight M2 Pro
Spotlight M2**



Installation

1. Open the package and take out the downlight.

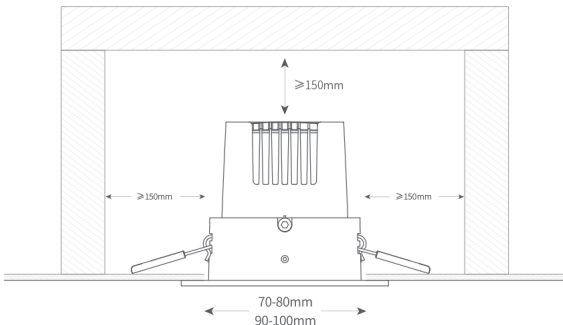


* Please make sure that the power is off before installation to prevent electric shock.
Please install strictly according to the manual, if the installation is improper, it will cause accidents such as fall, fire, electric shock, etc.

2. Punch holes in the ceiling.

Punch holes with suitable tools according to the size of the downlight.

(The hole size of Yeelight smart downlight M2 and Yeelight smart spotlight M2 is 70-80mm,
The hole size of Yeelight smart downlight M2 Pro is 90-100mm)



3. Connect to power wires.

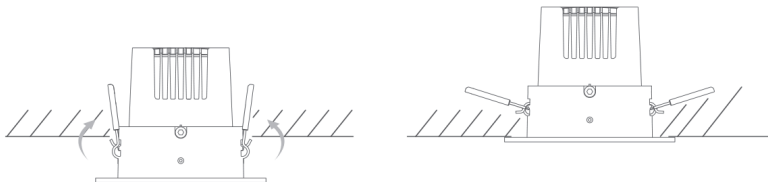
Connect the reserved wires to the terminal of the device, it is recommended to install and operate by professionals, please follow the wiring safety regulations.

Note: The brown is the live wire, and the blue is the Neutral wire.



4. Put the device into the ceiling.

Place the spring buckles vertically and install them into the holes on the ceiling.



Noted:

1. Please make sure that the power is off before installing, removing and checking the device.
2. For use in dry environment only.
3. This product is suitable for 5~16mm ceiling thickness.



Luminaires not suitable for covering with thermally insulating material.

5. Connect to Yeelight App.

1. This product needs to be used with the Bluetooth mesh gateway to connect to the APP and perform related smart control, the Bluetooth mesh gateway needs to be purchased separately;
2. Before connecting to the APP and performing related smart control, please reset the device and ensure that the Bluetooth mesh gateway is connected to the network normally;
3. This product can be controlled by Yeelight APP and can be interconnected with other products.
4. Scan the QR code to download and install Yeelight App, users who have installed Yeelight App can directly enter the device connection page. Or search for "Yeelight" in the app store, download and install the app.
5. Open the APP homepage, click "+" in the upper right corner of the page, and add devices according to the APP prompts. Or use a mesh gateway with voice function, issue a voice command to the gateway: "Discover device", and follow the voice prompts to connect.

* Please make sure that the Wi-Fi is available and the Internet can be accessed normally (this product does not support 5G networks). The corresponding name of this product in the APP device list is "Downlight & Spotlight M2".



Noted: Due to the upgrade and update of the Yeelight APP, the actual operation may be slightly different from the above description. Please follow the instructions in the current APP.

How to reset

Use physical switch to turn the light on and off five times in a row (on for 2s, off for 2s), the light will start to breathe, after 5s, the light will automatically restart, it means that the downlight has been reset.

Warning

1. Please make sure that the voltage you use is suitable for the operating voltage of this product before use. Using inappropriate voltage may damage the product and pose a safety hazard.
2. The light will heat up during working, please make sure that the bulb has sufficient ventilation space to dissipate heat.
3. For indoor use only. ☺
4. The light source of this luminaire is not replaceable; when the light source reaches its end of life the whole luminaire shall be replaced.
5. The external flexible cable or cord of this luminaire cannot be replaced; if the cord is damaged, the luminaire shall be destroyed.
6. Terminal block not included. Installation must be performed by a qualified person.
7. Class II Luminaire. ☐

Specification

	Yeelight Mesh Downlight M2	Yeelight Mesh Downlight M2 Pro	Yeelight Mesh Spotlight M2
Model	YLTS02YL	YLTS03YL	YLTS04YL
Beam angle	75°	65°	30°
Rated power	5W(12×1W/LED Module)	8W(16×1W/LEDModule)	5W(10×1W/LEDModule)
Luminous Flux	350lm	600lm	350lm
Product size	Φ93×73.5mm	Φ113×81.5mm	Φ93×73.5mm
Hole size	70-80mm	90-100mm	70-80mm
Rated input	220-240V~50/60Hz 0.045A	220-240V~50/60Hz 0.065A	220-240V~50/60Hz 0.045A
Color temperature	2700K-6500K		
Wireless connection	Bluetooth 4.2		
Package	Product, user manual		
Power factor	0.5		
Operating Frequency	2402MHz-2480MHz		
Maximum Output Power	6.81dBm		

EU Declaration of Conformity

We Qingdao Yeelink Information Technology Co.,Ltd., hereby, declares that this equipment is in compliance with the applicable Directives and European Norms, and amendments.

WEEE Disposal and Recycling

All products bearing this symbol are waste electrical and electronic equipment (WEEE as in directive 2012/19/EU) which should not be mixed with unsorted household waste. Instead, you should protect human health and the environment by handing over your waste equipment to a designated collection point for the recycling of waste electrical and electronic equipment, appointed by the government or local authorities. Correct disposal and recycling will help prevent potential negative consequences to the environment and human health. Please contact the installer or local authorities for more information about the location as well as terms and conditions of such collection points.



Please read the user manual carefully before using.

Manufacturer: Qingdao Yeelink Information Technology Co., Ltd.

Address: 10F-B4, Building B, Qingdao International Innovation Park,
No.1 Keyuan Weiye Road, Laoshan District, Qingdao, Shandong, P.R. China

Website: www.yeelink.com

Customer Service Email Address: support@yeelink.com

Manufacturer: Qingdao Yeelink Information Technology Co., Ltd.

Address: 10F-B4, Building B, Qingdao International Innovation Park, No.1 Keyuan Weiyi Road, Laoshan District, Qingdao, Shandong, P.R. China

Website: www.yeelink.com

Customer Service: support@yeelink.com